

---

## **System pro E control SR Basic**

Low voltage small and medium-sized enclosures for automation and distribution



# General characteristics

## Construction characteristics

The construction characteristics of the series guarantee practical installation and versatility, as well as highly technical features, such as the IP65 degree of protection. The apparatus can be installed on a blind back plate.

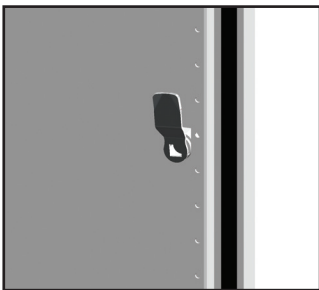
## Range

The range is divided into 43 different dimensions: from H=300mm to 1800mm, W=200mm to 1200mm and D=150mm to 400mm.

The enclosures can be installed either on the wall, or on the floor.

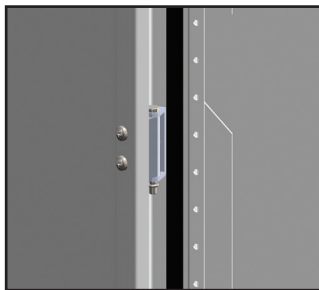
### Locking system

Different closing systems can be installed as per site requirement



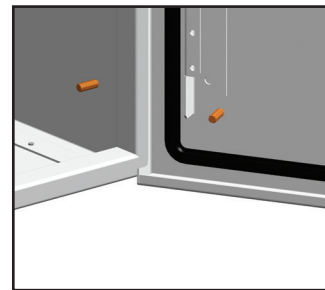
### Hinge system

Hinges are made of aluminum material in order to resist corrosion



### Provision for door earthing

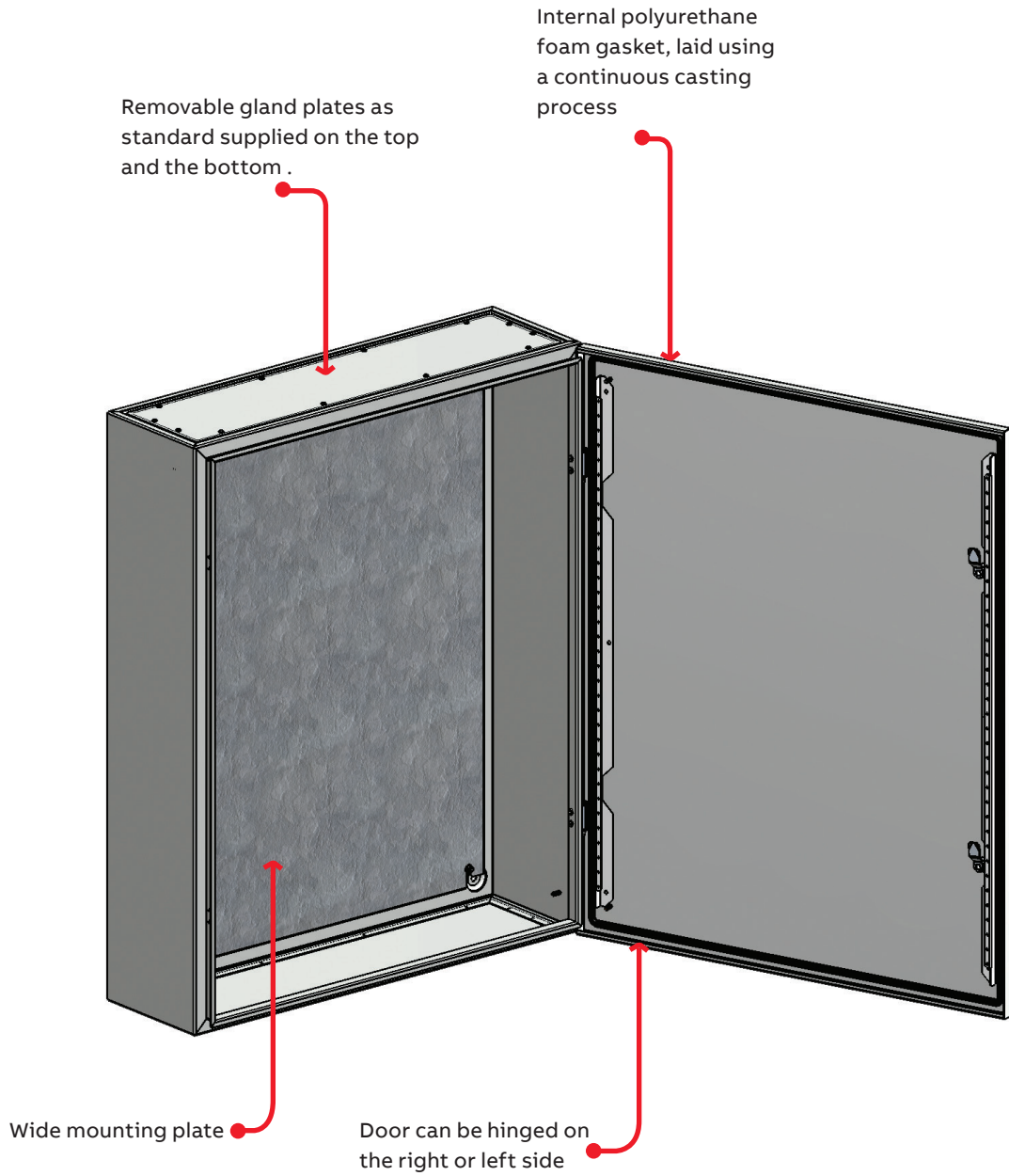
Door earthing is assured by two earth studs fixed on the top and bottom corners of the door



# Technical details

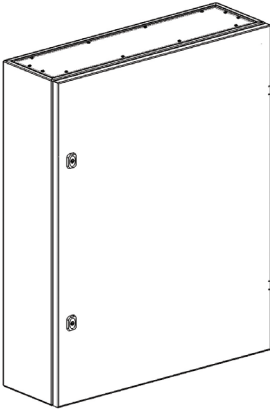
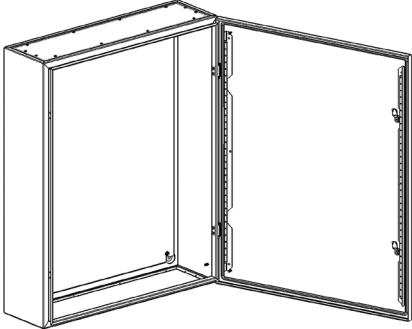
<b>Conformity with standard</b>	IEC 62208
<b>Degree of protection</b>	IP 65 (IEC 60529) for single door IP 54 (IEC 60529) for double door
<b>Degree of mechanical strength</b>	IK 10 (IEC 62262)
<b>Fixing method</b>	Floor standing / wall mounting
<b>Color</b>	RAL 7035
<b>Type of material</b>	15/10 Sheet Steel for enclosure 15/10 Galvanized mounting plate

# System description



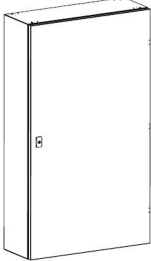
# Ordering details

## Empty enclosure with single plain door with mounting plate and with top and bottom gland plates

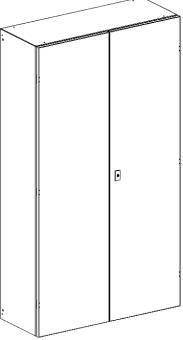
	Dimensions			Ordering details	
	Height H	Width W	Depth D	Type code	Ordering code
	300	200	150	SRB0302015	1SKE302015C0001
	300	300	150	SRB0303015	1SKE303015C0001
	400	300	150	SRB0403015	1SKE403015C0001
	400	300	200	SRB0403020	1SKE403020C0001
	500	400	150	SRB0504015	1SKE504015C0001
	500	400	200	SRB0504020	1SKE504020C0001
	600	400	150	SRB0604015	1SKE604015C0001
	600	400	200	SRB0604020	1SKE604020C0001
	600	400	250	SRB0604025	1SKE604025C0001
	600	600	250	SRB0606025	1SKE606025C0001
	700	500	200	SRB0705020	1SKE705020C0001
	700	500	250	SRB0705025	1SKE705025C0001
	800	600	200	SRB0806020	1SKE806020C0001
	800	600	250	SRB0806025	1SKE806025C0001
	800	600	300	SRB0806030	1SKE806030C0001
	800	800	300	SRB0808030	1SKE808030C0001
	1000	600	200	SRB1006020	1SKE106020C0001
	1000	600	250	SRB1006025	1SKE106025C0001
	1000	600	300	SRB1006030	1SKE106030C0001
	1000	800	200	SRB1008020	1SKE108020C0001
	1000	800	250	SRB1008025	1SKE108025C0001
	1000	800	300	SRB1008030	1SKE108030C0001

# Ordering details

## Empty enclosure with single plain door with depth adjustable mounting plate and with bottom gland plate

	Dimensions			Ordering details	
	Height	Width	Depth	Type code	Ordering code
	H	W	D		
	1200	600	250	SRB1206025	1SKE126025C0001
	1200	600	300	SRB1206030	1SKE126030C0001
	1200	800	250	SRB1208025	1SKE128025C0001
	1200	800	300	SRB1208030	1SKE128030C0001
	1400	800	300	SRB1408030	1SKE148030C0001
	1400	800	400	SRB1408040	1SKE148040C0001
	1600	800	300	SRB1608030	1SKE168030C0001
	1600	800	400	SRB1608040	1SKE168040C0001
	1800	800	300	SRB1808030	1SKE188030C0001
	1800	800	400	SRB1808040	1SKE188040C0001

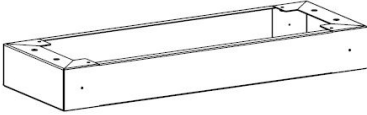
## Empty enclosure with double plain door with depth adjustable mounting plate and with bottom gland plate

	Dimensions			Ordering details	
	Height	Width	Depth	Type code	Ordering code
	H	W	D		
	1000	1000	300	SRB10010030	1SKE101030C0001
	1200	1000	300	SRB12010030	1SKE121030C0001
	1200	1000	400	SRB12010040	1SKE121040C0001
	1400	1000	300	SRB14010030	1SKE141030C0001
	1400	1000	400	SRB14010040	1SKE141040C0001
	1600	1000	300	SRB16010030	1SKE161030C0001
	1600	1000	400	SRB16010040	1SKE161040C0001
	1800	1000	300	SRB18010030	1SKE181030C0001
	1800	1000	400	SRB18010040	1SKE181040C0001
	1800	1200	300	SRB18012030	1SKE181230C0001
	1800	1200	400	SRB18012040	1SKE181240C0001

H=1400mm and above are equipped with 3 points locking system

# Ordering details

## Bottom plinth

	Dimensions			Ordering details	
	Height H	Width W	Depth D	Type code	Ordering code
	100	800	300	SRBP1008030	1SKE908030C0001
	100	800	400	SRBP1008040	1SKE908040C0001
	100	1000	300	SRBP1010030	1SKE910030C0001
	100	1000	400	SRBP1010040	1SKE910040C0001
	100	1200	300	SRBP1012030	1SKE912030C0001
	100	1200	400	SRBP1012040	1SKE912040C0001