

circuit breaker 3VT1 standard breaking capacity  $I_{cu}=25kA$ , 415V AC 3-pole, line protection trip unit TM, LI  $I_n=125A$  rated current  $I_R=125A$  overload protection  $I_l=500A$ , short-circuit prot. without auxiliary release without auxiliary/alarm switch



Model	
Product brand name	SENTRON
Product designation	3VT1_5 molded case circuit breakers
Design of the operating mechanism	toggle handle
Type of the driving mechanism / motor drive	No
Design of the overcurrent release	TM
General technical data	
Number of poles	3
Size of the circuit-breaker	3VT1
Electrical endurance (switching cycles) / typical	6 000
Usage category	A
Performance class for circuit breaker	N
Mechanical service life (switching cycles) / typical	20 000
Operating frequency / maximum	120 1/h
Voltage	
Insulation voltage / rated value	690 V
Surge voltage resistance / rated value	8 kV
Protection class	

Protection class IP	IP40
protection function of the overcurrent release	LI
<b>Dissipation</b>	
Power loss [W] / for rated value of the current / at AC / in hot operating state / per pole	5 W
<b>Current</b>	
Operating current / at 45 °C / rated value	110 A
Continuous current / rated value	125 A
Derating temperature / for the rated value of the continuous current	40 °C
Adjustable pick-up value current	
<ul style="list-style-type: none"> <li>• of the current-dependent overload release / Full-scale value</li> </ul>	125 A
<ul style="list-style-type: none"> <li>• of instantaneous short-circuit trip unit / initial value</li> </ul>	500 A
<ul style="list-style-type: none"> <li>• of instantaneous short-circuit trip unit / Full-scale value</li> </ul>	500 A
<b>Main circuit</b>	
Operating frequency	
<ul style="list-style-type: none"> <li>• 1 / rated value</li> </ul>	50 Hz
<ul style="list-style-type: none"> <li>• 2 / rated value</li> </ul>	60 Hz
Operating current	
<ul style="list-style-type: none"> <li>• at 40 °C / rated value</li> </ul>	125 A
<ul style="list-style-type: none"> <li>• at 50 °C / rated value</li> </ul>	110 A
<b>Auxiliary circuit</b>	
Number of CO contacts / for auxiliary contacts	0
Number of NC contacts / for auxiliary contacts	0
Number of NO contacts / for auxiliary contacts	0
<b>Suitability</b>	
Suitability for use	system protection
<ul style="list-style-type: none"> <li>• Disconnecting means</li> </ul>	Yes
<b>Adjustable parameters</b>	
Adjustable pick-up value current / of the current-dependent overload release / initial value	125 A
<b>Product details</b>	
Product component	
<ul style="list-style-type: none"> <li>• Trip indicator</li> </ul>	No
<ul style="list-style-type: none"> <li>• Auxiliary switch</li> </ul>	No
<ul style="list-style-type: none"> <li>• Voltage trigger</li> </ul>	No
<ul style="list-style-type: none"> <li>• undervoltage release</li> </ul>	No

• undervoltage release with leading contact	No
Product extension / optional / motor drive	Yes
<b>Product function</b>	
Product function	
• of thermal overload trip unit	fixed
• Ground fault protection	No
• for neutral conductors / Short-circuit and overload proof	No
• Phase failure detection	No
• Overload protection	Yes
<b>Short circuit</b>	
Operational short-circuit current breaking capacity (Ics)	
• at 240 V / rated value	20 kA
• at 415 V / rated value	13 kA
• at 500 V / rated value	6 kA
• at 690 V / rated value	3 kA
Maximum short-circuit current breaking capacity (Icu)	
• at 240 V / rated value	40 kA
• at 415 V / rated value	25 kA
• at 500 V / rated value	12 kA
• at 690 V / rated value	6 kA
<b>Connections</b>	
Arrangement of electrical connectors / for main current circuit	front side
Type of electrical connection / for main current circuit	box terminal
<b>Mechanical Design</b>	
Height	130 mm
Width	75 mm
Depth	80 mm
Mounting type	fixed mounting
Mounting position	with vertical mounting surface +/-180° rotatable, with vertical mounting surface +/- 30° tiltable to the front and back
Net weight	1.047 kg
<b>Environmental conditions</b>	
Ambient temperature / during operation	
• minimum	-40 °C
• maximum	55 °C
Ambient temperature / during storage	
• minimum	-40 °C
• maximum	55 °C

## Certificates

### Reference code

- acc. to DIN EN 61346-2 Q
- acc. to DIN EN 81346-2 Q

General Product Approval	Declaration of Conformity	Test Certificates	other
--------------------------	---------------------------	-------------------	-------



CCC



EG-Konf.

[Type Test Certificates/Test Report](#)

[Miscellaneous](#)

[Manufacturer Declaration](#)

## Further information

### Information- and Downloadcenter (Catalogs, Brochures,...)

<http://www.siemens.com/lowvoltage/catalogs>

### Industry Mall (Online ordering system)

<https://mall.industry.siemens.com/mall/en/en/Catalog/product?mfb=3VT1712-2DA36-0AA0>

### Service&Support (Manuals, Certificates, Characteristics, FAQs,...)

<https://support.industry.siemens.com/cs/ww/en/ps/3VT1712-2DA36-0AA0>

### Image database (product images, 2D dimension drawings, 3D models, device circuit diagrams, ...)

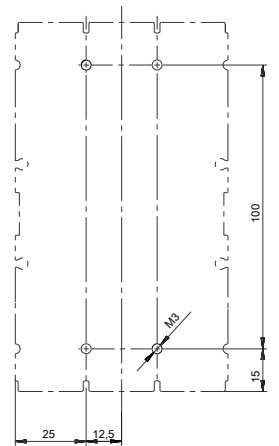
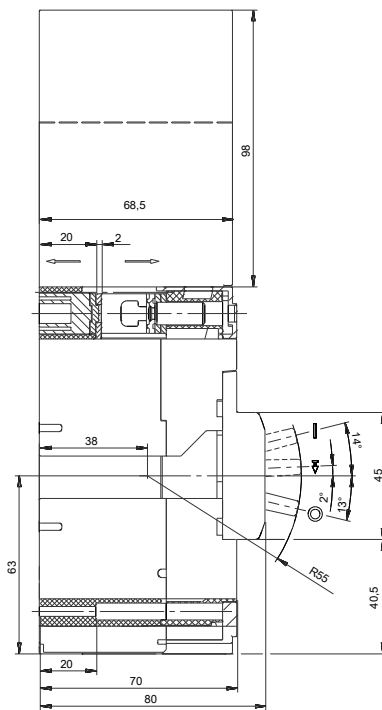
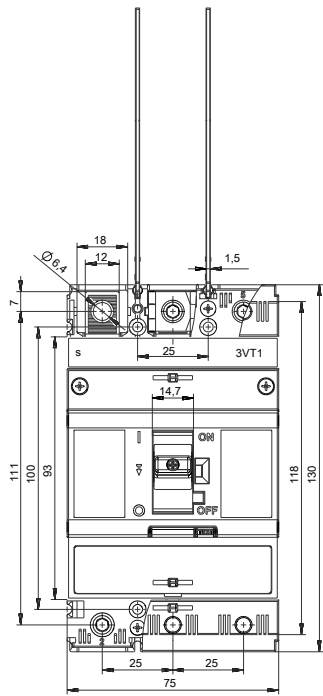
[http://www.automation.siemens.com/bilddb/cax\\_en.aspx?mfb=3VT1712-2DA36-0AA0](http://www.automation.siemens.com/bilddb/cax_en.aspx?mfb=3VT1712-2DA36-0AA0)

### CAX-Online-Generator

<http://www.siemens.com/cax>

### Tender specifications

<http://www.siemens.com/specifications>



-Q

