



---

## System Pro E Energy

### Minicenter MCB Distribution Boards

---

**ABB Electrical Industries (ABB Arab) S.A.E.**

P.O. Box  
11771 Cairo  
Egypt



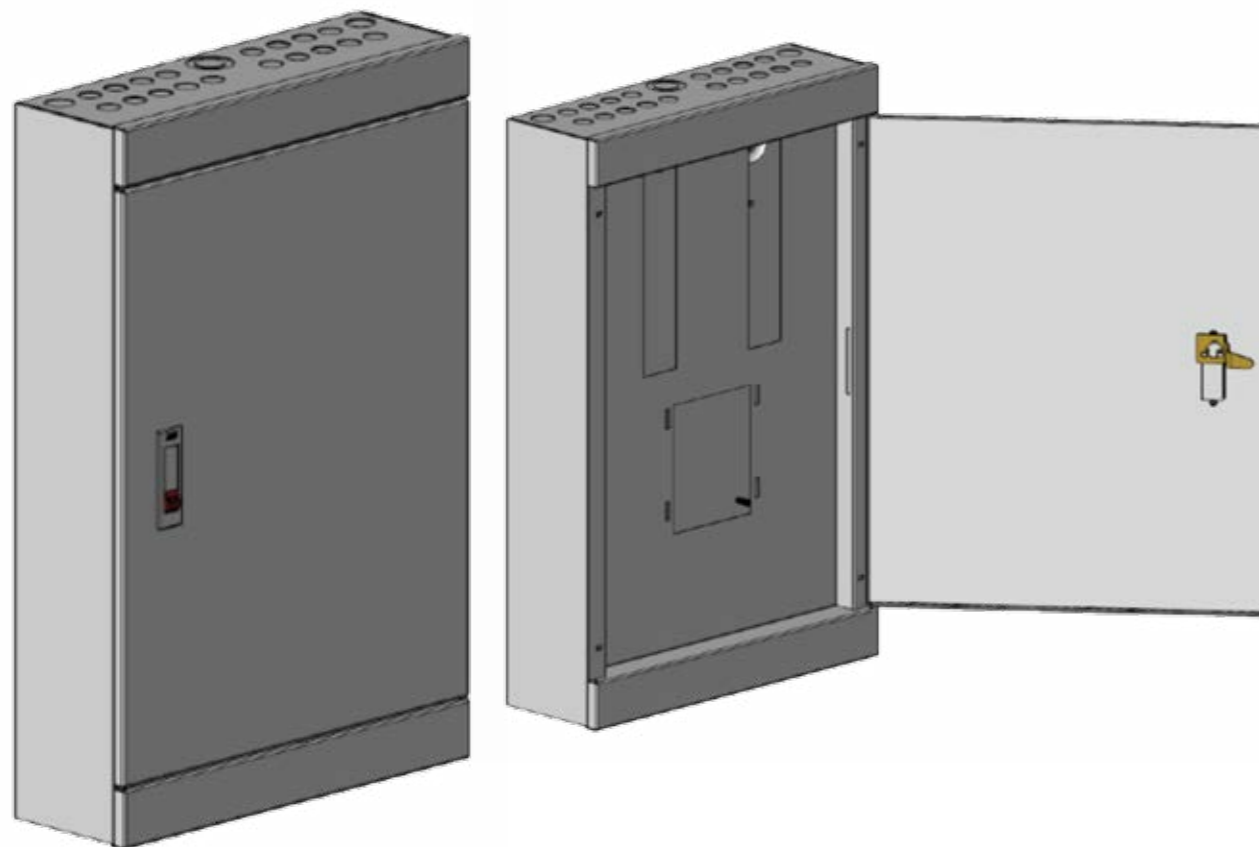
1SKC802016C2016

## Introduction

Minicenter distribution boards are designed to provide safety, and reliability. This product range is suitable for residential and commercial applications meeting latest market requirements.

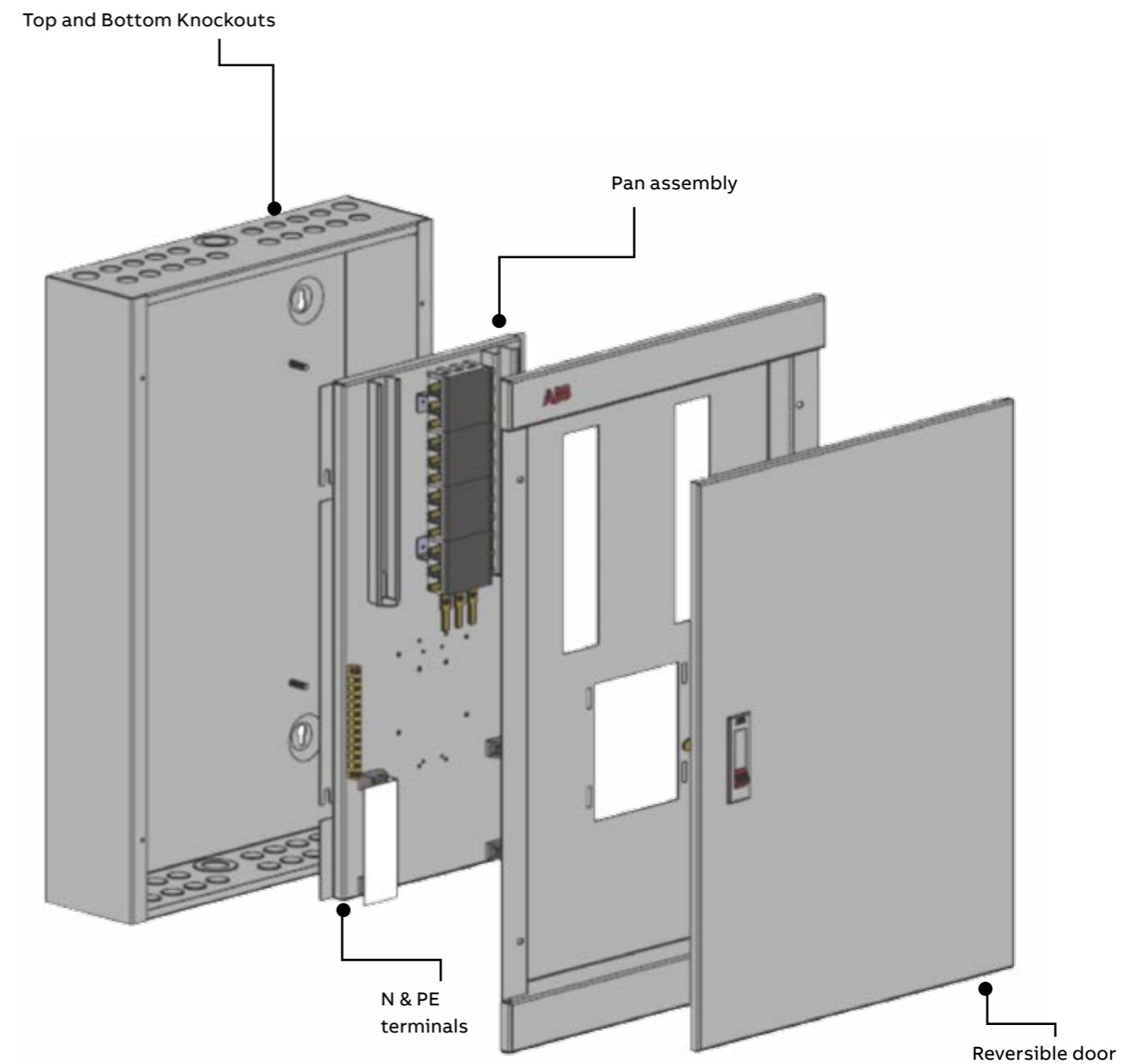
Minicenter is available in row type, Way type, and Split type, in addition to extension boxes. The row type is available in 16 modules and 24 modules per row, from 1 to 6 rows. The way type is available from 4 to 20 ways. The split type is available in 18 different configuration.

Minicenter is designed in flush and surface mounting, and supplied without incoming and outgoing devices.



## System Overview

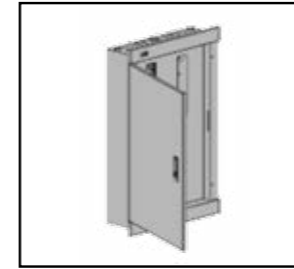
A versatile range suitable for every application



## Technical characteristics

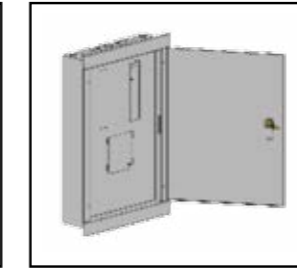
<b>Standard</b>	IEC 61439 -2; BS EN61439 -2	
<b>Max. load</b>	<b>@°35C</b>	160 A, 200 A
<b>Max. load</b>	<b>@°55C</b>	135 A, 160 A
<b>Max. voltage</b>	240 / 415 V ac, 50 / 60 Hz	
<b>Range</b>	Row type	
	<b>No. of rows</b>	1, 2, 3, 4, 5, and 6 rows for 16 modules type
	<b>No. of modules</b>	20, 32, 48, 64, 80 and 96 for 16 modules type
	<b>No. of rows</b>	4 and 5 rows for 24 modules type
	<b>No. of modules</b>	96 and 120 for 24 modules type
	Way type	
	<b>No. of ways</b>	4, 6, 8, 12, 16, 20 and 24 ways
	Split type	
	<b>No. of ways</b>	2+2, 2+4, 4+4, 4+6, 4+8, 4+10, 4+12, 6+6, 6+8, 6+10, and 8+8
<b>Degree of protection</b>	IP 43	
<b>Degree of Mechanical strength</b>	IK 07	
<b>Installation</b>	Indoor	
<b>Mounting</b>	Wall mounting, or embedded	
<b>Enclosure material</b>	Cold rolled sheet steel 1 mm	
<b>Enclosure finish</b>	Gray, RAL 7035	

## Benefits / Value



### Reversible Door

Minicenter comes with reversible door, the door can be hinged either to the left or right side depending upon the consumer convenience.



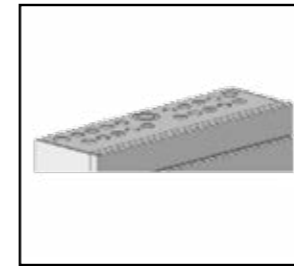
### Wide Door Opening Angles

The new series of sub distribution system offers impressive accessibility and ease of installation with 180 degree door opening angle.



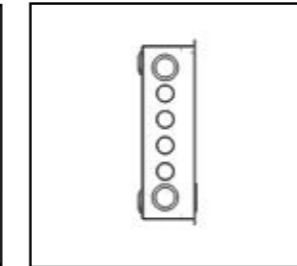
### Front Facia

Front facia plate provides neat & attractive cover for all incomer options



### Top and Bottom knockouts

Knockouts at top and bottom with 3 different sizes adaptable with different incoming/outgoing cables.



### Flexible Future Oriented System Extension

The system can be extended with the help of side, top and bottom extension. The system is flexible to extend for needs arising in the future.



### ASTA Certified

Minicenter is ASTA certified acc. to IEC 2-61439



### Neutral and PE terminals

Large terminals 25 mm<sup>2</sup> cable adapting neutral and earth terminals.



### Mounting kits

Minicenter accepts a variety of incoming devices, isolator, miniature circuit breaker, residual current device, MCCB or direct cable connection. The incoming devices are connected to the busbar via various connection kits.